

-20°C  
+70°C

# STX44 STX56

Shaker

- Shaking During Incubation
- Fully Automated Access
- Remote Setting



**StoreX**  
Series



# STX44/56 Shaker

## Advanced Shaking Solution for Life Science Applications

The STX44/56 Shaker by Liconic is the ultimate orbital shaking option designed for the industry-standard StoreX line of automated, climate-controlled incubators. It combines precise climate control with powerful sample agitation, making it ideal for a wide range of life science applications such as cell suspension, screening, and nucleic acid sample preparation.

### Key Features:

- **Versatile Capacities:** Choose from a wide selection of system capacities to match your experimental needs, providing flexibility for different sample volumes and quantities.
- **Customizable Speeds and Oscillating Amplitudes:** Adjust the shaking parameters to suit your application with a wide range of speed and oscillating amplitude options, ensuring optimal sample agitation and efficient mixing.
- **Precise Temperature Control:** Maintain accurate temperature conditions with support for a temperature range from 4°C to 70°C, preserving sample integrity and enabling reliable results.

- **No External Chiller Required:** The STX44/56 Shaker efficiently dissipates internal heat, eliminating the need for an external chiller and simplifying operation.

### Unlock the Potential of Your Shaking Applications with the STX44/56 Shaker

Experience versatility and reliability with the STX44/56 Shaker. With its versatile capacities, customizable settings, precise temperature control, and user-friendly operation, it empowers you to achieve exceptional results in your life science research.

## Orbital Shaker

Order Information Shaking option					
Orbital			Order Nr.		Order Nr.
1mm Amplitude	600 rpm max.	for STX44, STR44	9118 12 24	for LPX44	9147 00 16
1mm Amplitude	1200 rpm max.	for STX44, STR44	9118 12 25	for LPX44	9147 00 17
1.5mm Amplitude	1000 rpm max.	for STX44, STR44	9118 26 98	for LPX44	9118 26 98
2mm Amplitude	800 rpm max.	for STX44, STR44	9118 13 01	for LPX44	9118 13 01
3mm Amplitude	600 rpm max.	for STX44, STR44	9118 12 41	for LPX44	9147 00 35
4mm Amplitude	600 rpm max.	for STX44, STR44	9118 36 38	for LPX44	9118 36 38
6mm Amplitude	400 rpm max.	for STX44, STR44	9118 12 42	for LPX44	9147 00 36
1mm Amplitude	600 rpm max.	for STX56	9118 26 89	for LPX56	9118 26 89
1mm Amplitude	1200 rpm max.	for STX56	9118 26 90	for LPX56	9118 26 90
1.5mm Amplitude	1000 rpm max.	for STX56	9118 27 16	for LPX56	9118 27 16
2mm Amplitude	800 rpm max.	for STX56	9118 26 97	for LPX56	9118 26 97
3mm Amplitude	600 rpm max.	for STX56	9118 26 91	for LPX56	9118 26 91
4mm Amplitude	600 rpm max.	for STX56	9118 36 39	for LPX56	9118 36 39
6mm Amplitude	400 rpm max.	for STX56	9118 26 92	for LPX56	9118 26 92

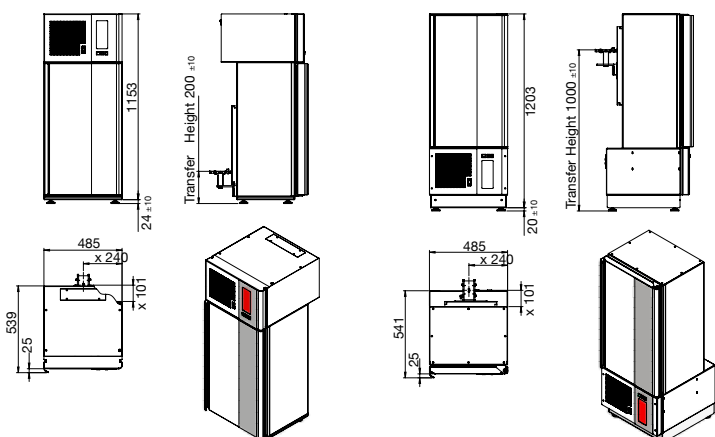
### Technical Specifications

Shaker Motion	orbital	
	Amplitude [mm PP] *)	Speed [min-1] **)
Performance	1	0-1200
	1.5	0-1000
	2	0-800
	3	0-600
	4	0-600
	6	0-400
Labware	All SBS-Format Plates (MTP, DWP...)	
Cassette	2	
	Shaker-Type, All Stainless	
	Removable by User	
Software Control	Communications	Through Standard Port
	Activate / Deactivate	Software, Remote Command
	Speed	Software, Remote Parameter
	Plate Access	Random
	Positioning	Automatic
	Robotic Access	Software, Remote Command
Manual Operation	Manual Access	Front Door by User
	Cassette Access	Manually by User
	Shaker Safety	Automatic Stop by Front Door
Options	BCR Plate Identification	

### Dimensions STX44

#### Bench-Top (BT) Flush Front

#### Stand-Alone (SA)



### Dimensions STX56

#### Bench-Top (BT)

#### Stand-Alone (SA)

