

Room
Temperature
Systems

LPX880

Plate
Hotel

- Optimized for Larger Capacity Applications
- Available in Double Decker Configuration



LiCotel

LPX880

The LPX880 is optimized for larger-capacity applications. The LPX880 is ideal for high-throughput labs with space constraints. For comfortable operation, the LPX880 is available in Double Decker configuration, having two carousel decks.

The newly developed handling with higher speed is used in the LPX880. For details, please refer to www.liconic.com. The LPX880 with 880 MTP capacity makes it perfectly suitable for large integrations. Its compact size and high capacity makes it also ideal for mixed plate applications. Various options and accessories are available.

Basic Device

	Order Nr.
LPX880	9159 00 00

Options

	Order Nr.
Bar Code Reader option	9122 06 03
Plate Presence Sensor	9121 00 62
Plate overweight kit supports labware weight 300g up to 800g	9118 13 83
iMotion access speeds for time critical applications	9118 35 72
Fast access for time critical applications	9122 06 04
Housing / 1/2 Cover	9159 00 33
Cover Protection with integrated Door for manual access	9159 00 32
Clear Access Door	9159 00 75

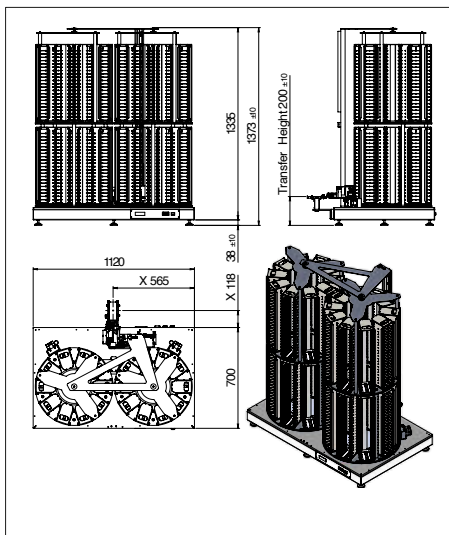
Accessories

	Order Nr.
Standard MTP cassette, 22 levels, pitch=23mm	9111 05 00
Deep-well cassette, 10 levels, pitch=50mm	9111 05 42
Custom Size cassette, nn levels, mm pitch (specify plate height)	9118 12 31
MTP cassette, 22 levels, pitch=23mm, all stainless steel	9118 12 26
Deep-well cassette, 10 levels, pitch=50mm, all stainless steel	9118 12 27
Custom Size cassette, nn levels, mm pitch, all stainless steel	9118 12 33
Standard Transfer Station with integrated plate detection sensor	9118 02 75
90 degree turn station, rotates plate from portrait to landscape	9111 11 21
Swap transfer station with plate buffer function	9118 11 00
Slide transfer station for extended transfer reach motor up (170mm)	9111 12 28
Slide transfer station for extended transfer reach (300mm)	9111 07 81
Slide transfer station custom size (specify transfer reach 300 - 1000mm)	9118 12 30
Parallel Transfer Station	9111 09 92
Lift Station	9111 10 32
Step Turn Station	9111 11 21
Step Slide Station	9111 11 30
Shuttle Transfer Station Turn 90°, Custom Size (up to 1000mm)	9111 10 94
Slide Transfer Station 90°, Custom Size (up to 1000mm)	9111 10 95

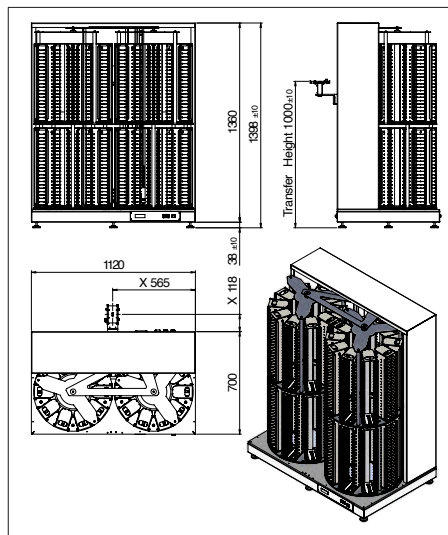
Capacity

Plate Type	Plate Height	Plate capacity of unit
NTP	5 mm	1680
	11 mm	1120
	1536	1080
MTP	17 mm	880
	22 mm	680
	23 mm	680
	24 mm	680
	27 mm	600
DWP	44 mm	400
	53 mm	320
DiTi200	66 mm	280
DiTi1000	104 mm	160

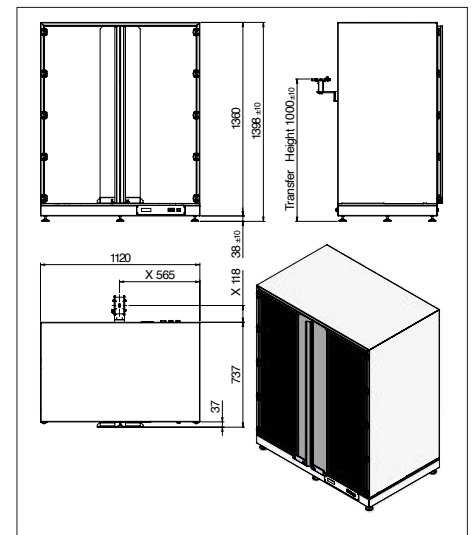
Dimensions



x Position varies depending on handling adjustment within chamber



x Position varies depending on handling adjustment within chamber



x Position varies depending on handling adjustment within chamber



www.liconic.com

Europe & International: LiCONiC AG, Liechtenstein
 UK & Nordic: LiCONiC UK Ltd, Manchester
 US & Asia: LiCONiC Inc, North Reading, MA
 © LiCONiC AG, 10.2024